

SONY

**Car Stereo
Service Bulletin**

Sony Service Company - Technical Services
A Division of Sony Corporation of America
Sony Drive, Park Ridge, New Jersey 07656

Model: ES-R6/-R400, XR-170/-4057/-5500

No. 198

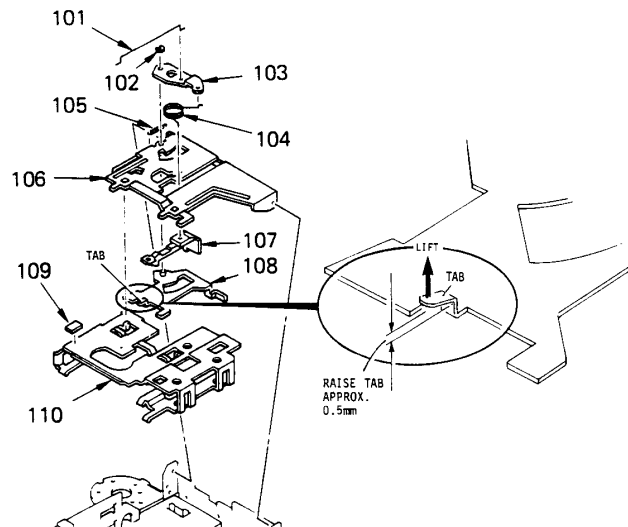
Subject: Tuner inoperative after cassette is ejected.

Date: April 30, 1991

Symptom:
(12)

The tuner may not operate after a cassette has been ejected. This occurs when the small tab on the eject cam lock assy. (ref. 108) is misadjusted, allowing the cassette holder (ref. 110) to drop back down into the cassette loaded position.

Solution: Re-form the tab upwards approx. 0.5 mm, allowing it to engage the cassette hanger (ref. 106) properly, thereby preventing the cassette holder from dropping down.



Reference: FPR: M0841, M0842, M0843, M0844, M0852

PRINTED IN U.S.A.
CSA-14491-5

CSA-14 Tuner / Tape Deck